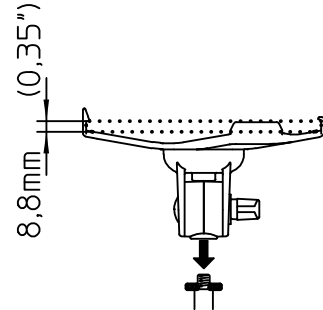
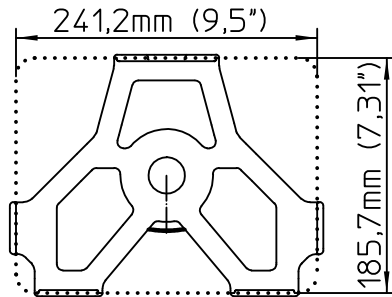


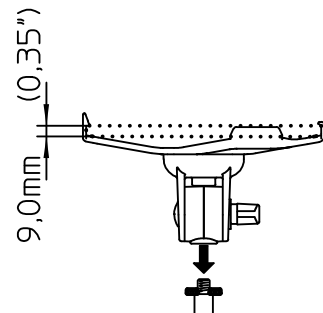
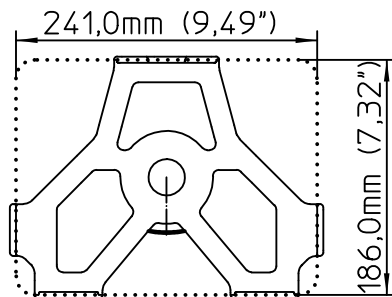
Dear customer,
 the dimensional differences between iPad2 & 3 were so small (w:0,2mm, h:0,3mm)
 that we've created ONE holder for BOTH tablets.



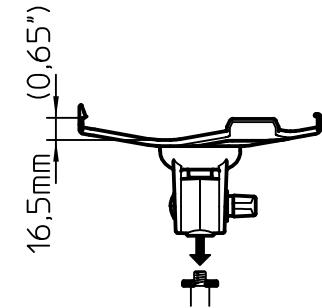
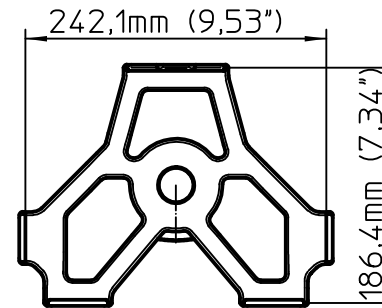
iPad2 dimensions:



iPad3 dimensions:



iPad2/3-holder dimensions:



- K&M-products
- 19712 stand holder
 - 19722 holder w/clamp&arm
 - 19732 wall mount
 - 19752 desk stand
 - 19772 stand w/holder

It's our ambition to provide you, our customer, with a useful, sturdy and very flexible iPad-holder equipment.
 And of course it used to be easy-to-handle. All this has led to a lock-in-place solution, based upon unbreakable polyamide. This concept works and is appreciated very well. So far so good.
 INFO: for some reason the plate, made out of hard-wearing and unbreakable polyamide can be put by yourself into form without further ado. See as follows:

